

QWCA-D180-K

WRD-180 to 2.92mm

Features:
* Low VSWR

Applications:
* Wireless
* Transmitter
* Laboratory Test
* Radar

Electrical

Frequency: 18~40GHz
VSWR: 1.4 max.
1.3 max. (Right angle)

Mechanical

Coax Connectors: 2.92mm
Waveguide Size: WRD-180
Flange: FPWRD180
Material: Aluminum

How To Order

QWCA-D180-X-Y-Z

X : Connector type.

Y : Configuration type.

Z : Flange type if applicable.

Connector naming rules:

K - 2.92mm Male (Outline A, Outline B)

KF - 2.92mm Female (Outline A, Outline B)

Configuration naming rules:

E - End launch (Outline A)

R - Right angle (Outline B)

Flange naming rules:

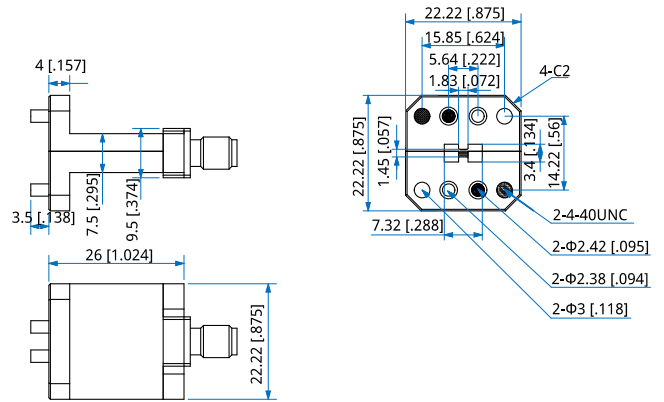
8 - FPWRD (Outline A, Outline B)

Examples:

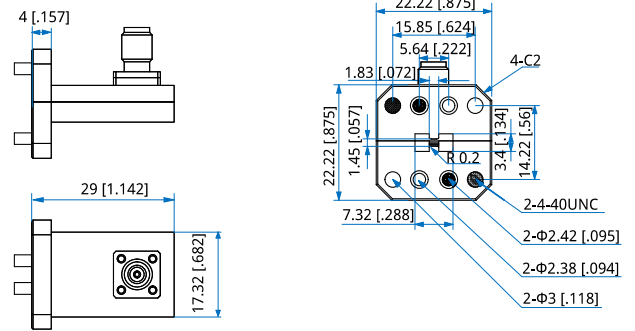
To order a waveguide to coax adapter, WRD180 to 2.92mm female, right angle, FPWRD, specify QWCA-D180-KF-R-8.

Customization is available upon request.

Outline Drawings



Outline A



Outline B

Unit: mm [in]

Tolerance: ±0.2mm [±0.008in]